

Sandringham 21 Washbasin Mixer 1 TH Weighted Chain & Plug

ILLUSTRATED

B9869 Sandringham 21 washbasin mixer 1 taphole with weighted chain & plug waste

ILLUSTRATED PRODUCT DETAILS

Weights

B9869 1.49 KG

Finishes

B9869  Chrome (AA)

Materials

B9869 Chrome Plated Brass

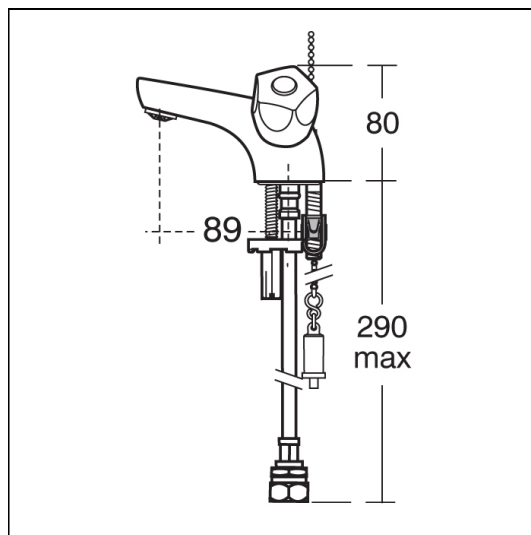
Flow rates

B9869 4.8 Litres per minute @ 3 bar pressure

Special Notes

Suitable for balanced supplies high or low pressure. Inlets with flexible hoses and connections for 15mm copper tails. Consideration should be given to safe hot water delivery and the use of an appropriate temperature reduction device see S7435AA. Water saving can be achieved by use of a flow regulators such as L6935NU to deliver maximum of 4 Litres per minute.

For use with wastes that accept a chain to their plug E.G. S8800AA



ACCREDITATIONS

