



Features:

- Long life and easy to use 1/4 turn ceramic disc valves
- Thermostatic cartridge with preset temperature stop at 42°C, can be over-ridden
- Easy to use single control for shower temperature and flow
- Automatic shut-off in the event of hot or cold water supply failure
- Metal back nuts for added durability

Product Certifications:



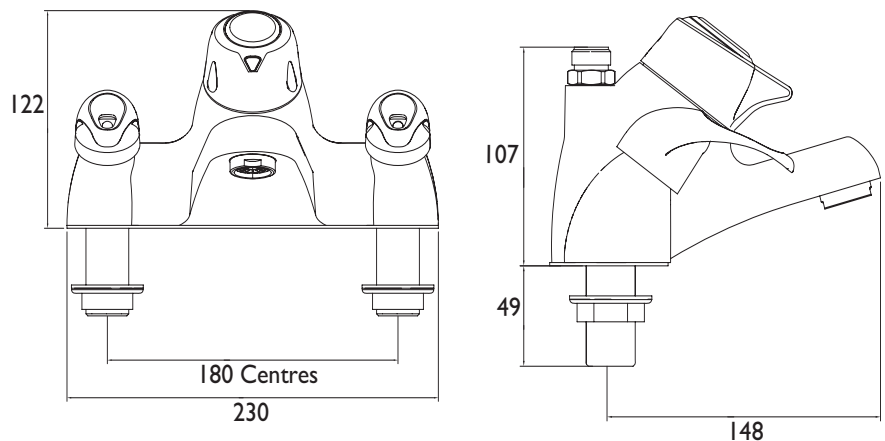
For more products, visit our website:
<http://www.bristan.com>



Specification

Style:	Contemporary
Product Type:	Taps
Main Construction Material:	Brass
Mount Type:	Deck Mounted
Handle Type:	Lever
Connection Inlet:	3/4" BSP
Connection Outlet:	G 1/2"
Number of Tap Holes:	1
Valve/Cartridge Type:	Thermostatic
Plumbing System Requirements:	Ideally Balanced
Working Pressure Range:	Min. 0.1 bar, Max. 8.0 bar
Maximum Hot Water Temperature: °C	60
Maximum Dynamic Pressure: (bar)	5
Maximum Static Pressure: (bar)	10
Flow Type:	Single
Flow Rate: (l/min @ 3 bar)	18
Isolation Included:	No

Dimensions (measurements in mm)



Flow Rates (l/min)

System Pressure (bar)	0.1	0.5	1	2	3	5
Bath Filler	19.6	44	62.2	88	107.7	139.1
Shower (Open Outlet)	7.16	16	22.63	32	39.1	50.6

TECHNICAL DATA SHEET



BRISTAN

TAPS & SHOWERS